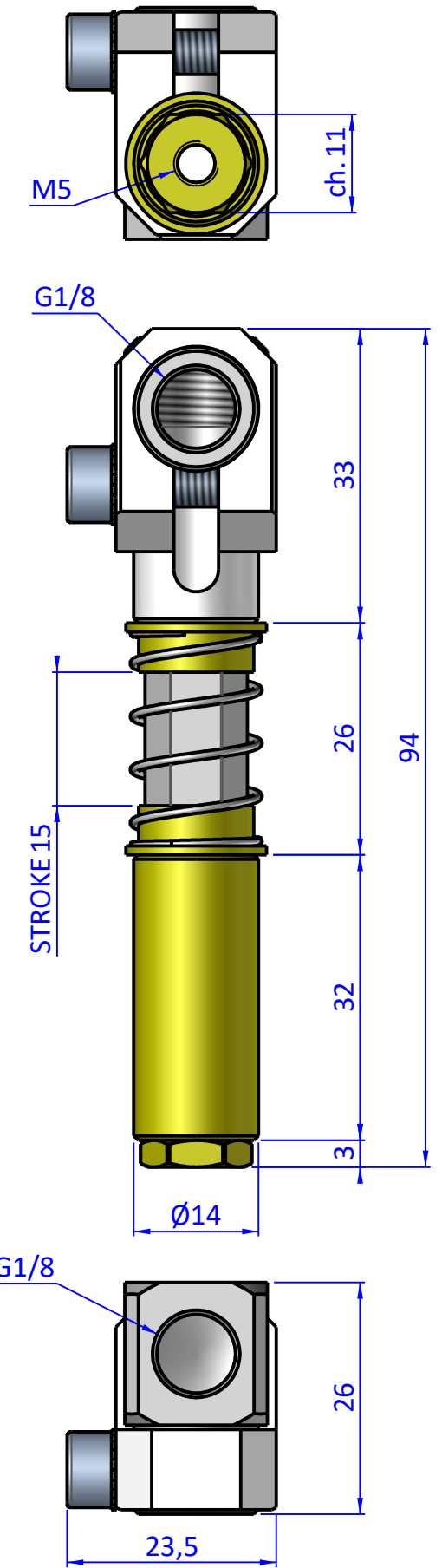
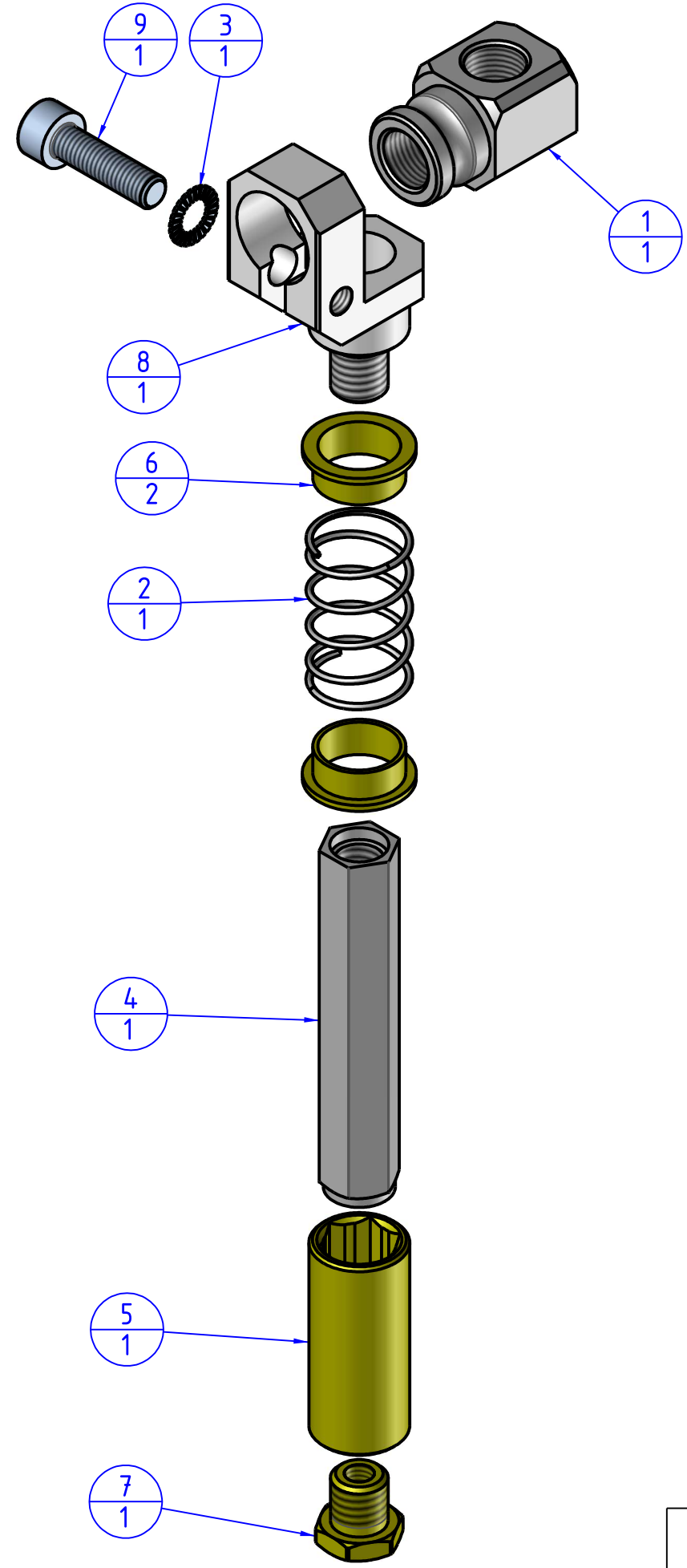



THE PROPERTY OF THE DRAWING IS ESTABLISHED BY LAW. IT IS FORBIDDEN TO PRODUCE OR SHOW IT TO THIRD PARTY WITHOUT A WRITTEN AGREEMENT.

Item	Name	Q.ty
1	GGB.14.18.18	1
2	M.15x35	1
3	R.5.SCH	1
4	SAE.14181815.2	1
5	SAE.14181815.3	1
6	SAE.14181815.4	2
7	SAE.14181815.5	1
8	SAS.14.1	1
9	V.TCE5x18	1



Format A3
UNI 936-76

 FPS SERVICES AUTOMATION		DESIGNED FROM		REVIEW
		FPS Automation		A
GENERAL TOLERANCE		DATE	WEIGHT	
UNI - ISO 2768		23/02/2022	0,059kg	
CLASSE f		CODE	CA.SAS.14181815	
		CA.SAS.14181815		CA.SAS.14181815